

## RPG VS4 series

### (API 610 11<sup>TH</sup> ED. VS4)

The RPG VS4 pumps are vertically suspended, single-casing, volute, line shaft driven pumps. The RPG VS4 series meets the requirements of API 610 11<sup>TH</sup> ed VS4 pumps.

As a standard, bearing housing is located above the mounting plate. Optional design with bearing housing below the mounting plate is available. The impeller and casing selection depend on the application and operating conditions. To suit the wide range of applications with impellers ranging from semi-open for liquids containing solids to fully enclosed impeller designs.

#### CAPACITY



Up to 1.000 m<sup>3</sup>/h

#### PRESSURE



Up to 250 m

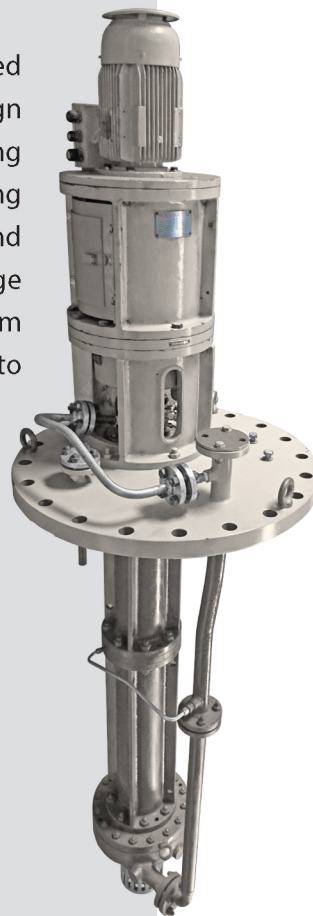
#### TEMPERATURE



Up to 250 °C

### Options

- Soft packing sealing (non-API)
- Line-shaft bearing lubrication (product)
- Fan and liquid cooled bearing bracket
- Engineered dimensions to meet existing piping requirements
- Strainer baskets as per custom designs
- Instrumentation and whole range of level switches and transmitters
- ANSI blind flange design mounting plate designed for sump pressure
- Labyrinth seals



### Product features

- Full compliance with API 610 11<sup>TH</sup> ed (ISO13079) type VS4
- Bearing housing adjustment ensures proper impeller position and improved efficiency
- Single or double row angular contact bearings for handling the axial thrust forces
- Heavy column pipe provides rigid support for pump and bearings
- Heavy-duty, one-piece shaft
- Optional column and shaft extension for deep sump application
- Enclosed impeller for clean fluid and open impeller for solid handling, corrosives and abrasives
- External lubrication on shaft intermediate bearings for abrasive and solid application
- Replaceable casing/impeller wear-rings
- Grease lubricated
- Seal chamber design fully compliant with API 610 11<sup>TH</sup> ed / API 682 4<sup>TH</sup> ed.

## Applications

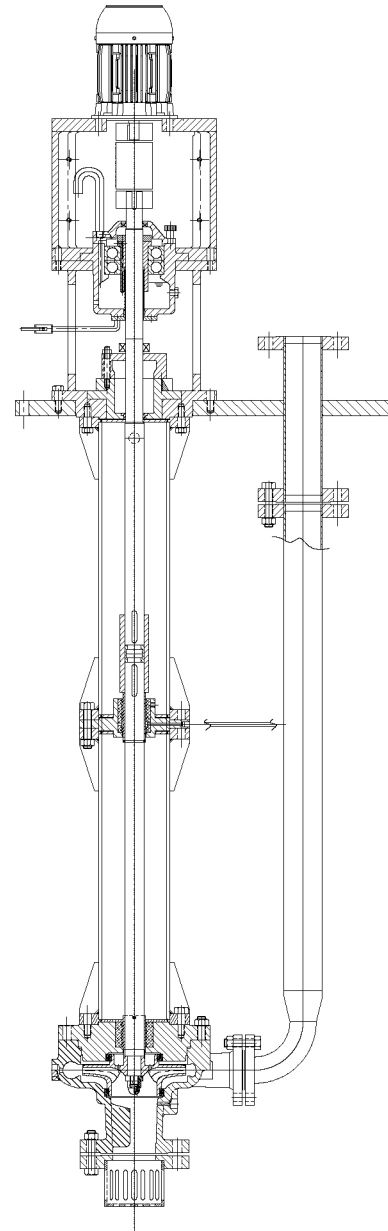
- Petrochemical process
- Chemical processing
- Refinery off-sites
- Drainage sumps
- Gas and coal processing
- Liquid Sulphur
- Molten salts
- Oily water sumps
- Tank transfer

## Materials

- All materials of construction in accordance with the latest API 610 Annex H Table H.1 available
- Special materials and coatings available upon request

## Technical data

- capacity up to 1.000 m<sup>3</sup>/h
- Head up to 250 m
- Maximum temperature up to 250°C



## Head Office

Havennummer 2248  
Waalhaven ZZ 52-66  
3088 HJ Rotterdam  
The Netherlands  
Tel: +31 (0) 10 428 52 33